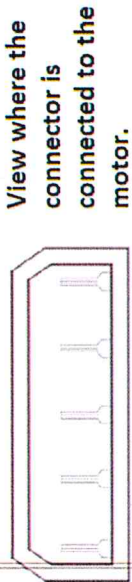


Replacement of power connection Nimbus wiper motor.

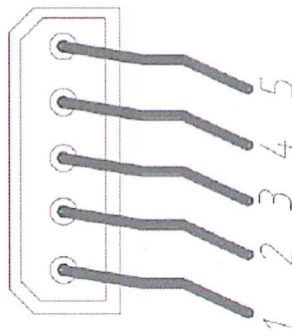
A wiper motor is fitted from the factory with a connector that has flat pin connectors 2.8 mm.



1 2 3 4 5

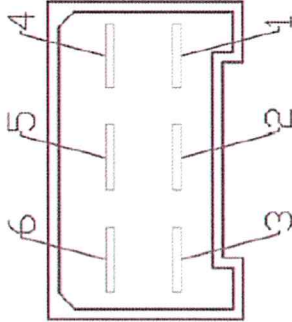
- 1 = 53a
- 2 = 53b
- 3 = 31b
- 4 = 53
- 5 = 31

The corresponding connector is in the boat which has flat stitch sleeves 2.8 mm.



- 1 = 53a
- 2 = 53b
- 3 = 31b
- 4 = 53
- 5 = 31

The replacement motor has a connector with flat pin connectors 6,3 mm.



- 6 = 31 Black cable.
- 5 = Empty.
- 4 = 53b Grey cable.
- 3 = 53a Blue-Black cable.
- 2 = 53 Blue cable.
- 1 = 31b Blue-White cable.

Note the color and location that the cables have in the connector in the boat. Mark the cables with the attached labels. Then cut the cables and fit the enclosed flat sleeve sleeves.

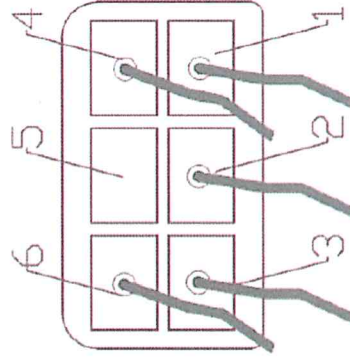


The flat sleeve sleeves are mounted from behind. One click should be heard when the sleeve is bottled.



NOTE!
The cable colors in the boat vary.

The cables should be mounted as shown below.



- 6 = 31
- 5 = Tom
- 4 = 53b
- 3 = 53a
- 2 = 53
- 1 = 31b